

LS 14, 16 s/n BGF126169 -

Spare parts list: Cut-off saws

TECHBUD

Spare parts list

LS 141
LS 165

Tightening torque

Tightening torque 9

Diamond discs

Diamond discs 11

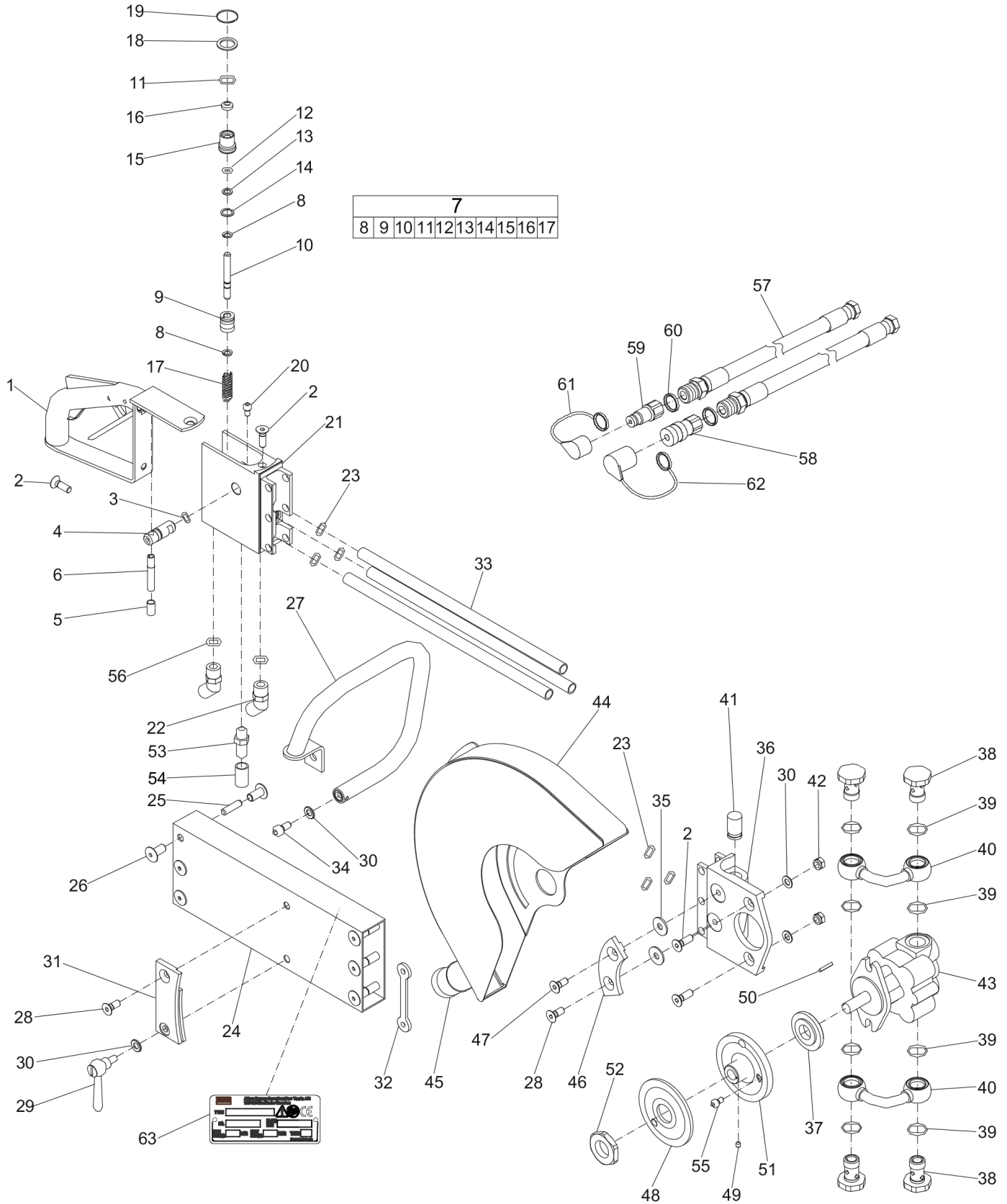
Accessories

Hoses and couplings 13
Wrench HEX41 15

Kits

Label kit, LS 14 17
Label kit, LS 16 19
LCS Cart kit 21
Water kit24
Seal kit27
Seal kit, LS 1429
Seal kit, LS 1631

Spare parts list LS 14



Refer to Parts Online for the most up to date information. The printed information might be outdated.

Wed Feb 19 09:07:17 UTC 2020

Item	Part No.	Name	Qty	L
1	3371809003	Grip complete	1	
2	3371809706	Screw M8x25	4	
3	3371809729	O-ring ø11x2	1	
4	3371809105	Water valve	1	
5	3371817766	Tip ø8, black	1	
6	3371817767	Roll pin ø8x50	1	
7	3371814058	Trigger valve kit	1	
8	3371814732	Circlip	2	A
9	3371814161	Trigger spool	1	
10	3371815166	Trigger rod	1	
11	3371814702	O-ring Ø 0.64 x 0.09 in. Ø 16.3 x 2.4 mm	1	
12	3371814700	O-ring Ø 0.33 x 0.09 in. Ø 8.3 x 2.4 mm	1	
13	3371814701	Back-up ring	1	
14	3371814712	Circlip	1	B
15	3371814120	Packing gland	1	
16	3371805503	Seal Ø 0.71 x 0.55 x 0.14 x 0.20 in. Ø 18 x 14 x 3.5 x 5 mm	1	
17	3371814163	Spring	1	
18	3371809700	Back-up washer ø18/25x1.5	1	
19	3371809701	Circlip SB 25	1	C
20	3371817728	Screw M6x10	1	
21	3371809126	Valve block	1	
22	3371809730	Nipple 3/8" BSP 3/4" UNF 45° elbow	2	
23	3371818705	O-ring ø14x2	6	
24	3371809119	Frame For SAW 14	1	
25	3371809703	Bushing M8x20, stainless	6	
26	3377122008	Screw M8x30	12	
27	3371809027	Front handle Bow with rubber coating	1	D
28	0216195748	Screw	3	
29	3371809711	Clamp screw Assembly	1	
30	3377000469	Washer ø8	4	
31	3371809130	Brake shoe	1	
32	3371809101	Fastening plate	1	
33	3371809145	Hydraulic tube, 14 x 1.5 mm, 0.55 x 0.06 in.	3	
34	0211132203	Screw	1	
35	3371809710	Washer ø8.4/24x2, nylon	2	

Refer to Parts Online for the most up to date information. The printed information might be outdated.

Wed Feb 19 09:07:17 UTC 2020

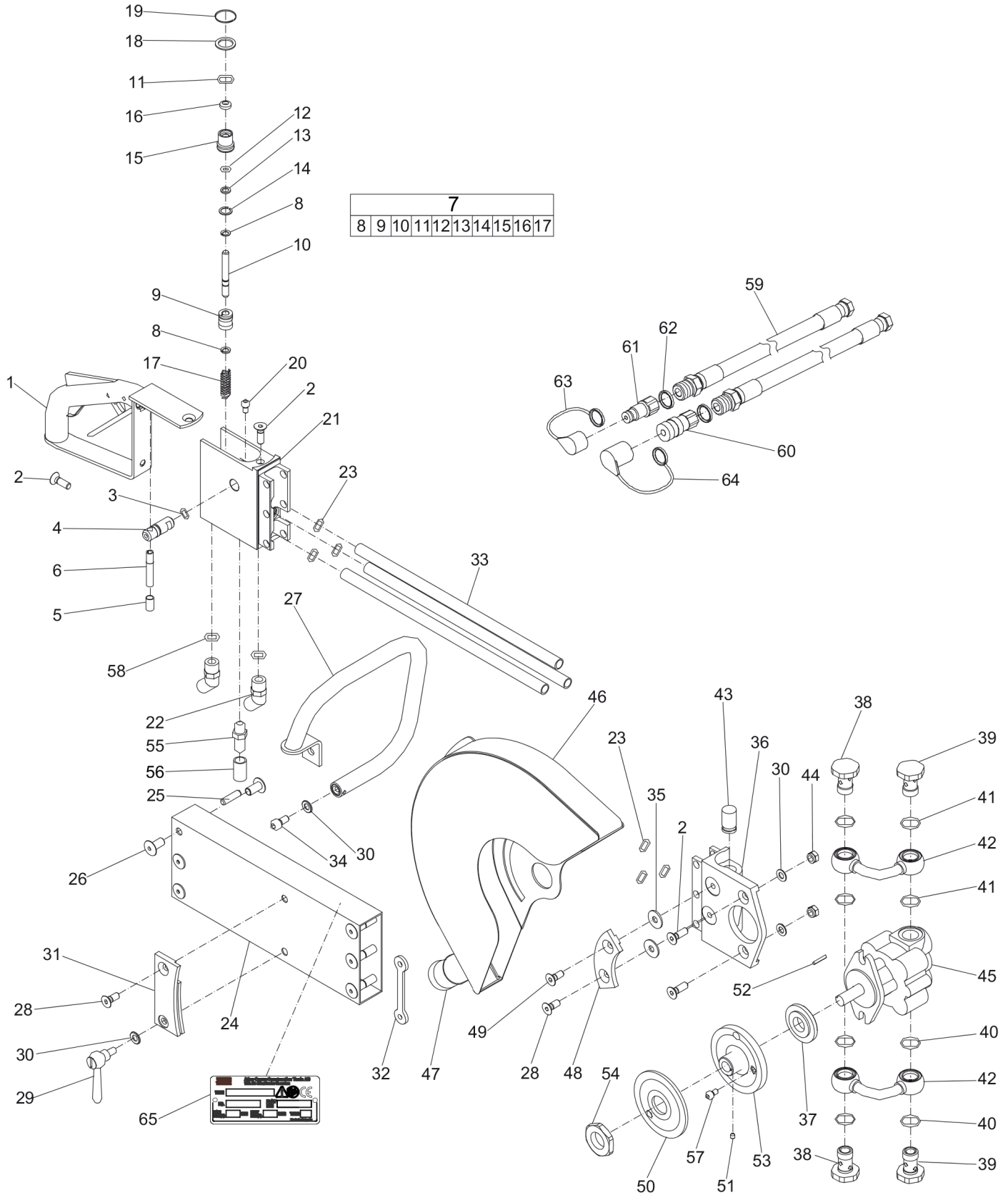
This page intentionally left blank

Item	Part No.	Name	Qty	L
36	3371809117	Motor flange	1	
37	3371809122	Washer For motor flange	1	
38	3371809148	Banjo bolt ¾" UNF	4	
39	3371820706	O-ring Ø 0.87 x 0.06 in.Ø 22 x 1.5 mm	8	
40	3371809123	Banjo elbow	2	
41	3371809732	Check valve 6 bar	1	E
42	3377111008	Nut M8	2	
43	3371809248	Hydraulic motor	1	F
44	3371809118	Guard complete For SAW 14	1	
45	3371809747	Tip ø38	1	
46	3371809107	Guard retainer	1	
47	3371809156	Screw M8x20, finished	1	
48	3371809115	Washer For adaptor	1	G
49	3378000360	Screw M5x6	1	
50	3371809731	Parallel For MGG motor	1	H
51	3371809116	Adaptor For 14"/16" discs	1	
52	3371809127	Counter nut 1" UNF - left	1	
53	3371809746	Hose fitting ¼" BSPT M - ½" hose	1	
54	3371809750	Tip ø13	1	
55	3371809712	Screw M6x6	1	
56	3371805109	O-ring ø13.95x2.62	2	
57	3371809021	Tail hose 2.0 m ¾"	2	
58	3371805137	Q.R. coupling 06 female	1	I
59	3371805138	Q.R. coupling 06 male	1	J
60	3377016375	Seal ring 3/8"	2	
61	3371805728	Protective cap 3/8" male	1	
62	3371805727	Protective cap, 3/8 in. Female	1	
63	-	Data plate (Not available separately)	1	

Refer to Parts Online for the most up to date information. The printed information might be outdated.

Wed Feb 19 09:07:18 UTC 2020

Spare parts list LS 16



Refer to Parts Online for the most up to date information. The printed information might be outdated.

Wed Feb 19 09:07:18 UTC 2020

Item	Part No.	Name	Qty	L
1	3371809003	Grip complete	1	
2	3371809706	Screw M8x25	4	
3	3371809729	O-ring ø11x2	1	
4	3371809105	Water valve	1	
5	3371817766	Tip ø8, black	1	
6	3371817767	Roll pin ø8x50	1	
7	3371814058	Trigger valve kit	1	
8	3371814732	Circlip	2	A
9	3371814161	Trigger spool	1	
10	3371815166	Trigger rod	1	
11	3371814702	O-ring Ø 0.64 x 0.09 in. Ø 16.3 x 2.4 mm	1	
12	3371814700	O-ring Ø 0.33 x 0.09 in. Ø 8.3 x 2.4 mm	1	
13	3371814701	Back-up ring	1	
14	3371814712	Circlip	1	B
15	3371814120	Packing gland	1	
16	3371805503	Seal Ø 0.71 x 0.55 x 0.14 x 0.20 in. Ø 18 x 14 x 3.5 x 5 mm	1	
17	3371814163	Spring	1	
18	3371809700	Back-up washer ø18/25x1.5	1	
19	3371809701	Circlip SB 25	1	C
20	3371817728	Screw M6x10	1	
21	3371809126	Valve block	1	
22	3371809730	Nipple 3/8" BSP 3/4" UNF 45° elbow	2	
23	3371818705	O-ring ø14x2	6	
24	3371809160	Frame For SAW 16	1	
25	3371809703	Bushing M8x20, stainless	6	
26	3377122008	Screw M8x30	12	
27	3371809027	Front handle Bow with rubber coating	1	D
28	3371809705	Screw M8x20	3	
29	3371809711	Clamp screw Assembly	1	
30	3377000469	Washer ø8	4	
31	3371809130	Brake shoe	1	
32	3371809101	Fastening plate	1	
33	3371809161	Hydraulic tube ø14x1.5	3	
34	0211132203	Screw	1	
35	3371809710	Washer ø8.4/24x2, nylon	2	

Refer to Parts Online for the most up to date information. The printed information might be outdated.

Wed Feb 19 09:07:18 UTC 2020

This page intentionally left blank

Item	Part No.	Name	Qty	L
36	3371809117	Motor flange	1	
37	3371809122	Washer For motor flange	1	
38	3371809148	Banjo bolt ¼" UNF	2	
39	3371809165	Banjo bolt ⅜" UNF	2	
40	3371820706	O-ring Ø 0.87 x 0.06 in.Ø 22 x 1.5 mm	4	
41	3371814748	O-ring Ø 0.98 x 0.06 in.Ø 25 x 1.5 mm	4	
42	3371809163	Banjo elbow	2	
43	3371809732	Check valve 6 bar	1	E
44	3377111008	Nut M8	2	
45	3371809249	Hydraulic motor	1	F
46	3371809141	Guard complete For SAW 16	1	
47	3371809747	Tip ø38	1	
48	3371809107	Guard retainer	1	
49	3371809156	Screw M8x20, finished	1	
50	3371809115	Washer For adaptor	1	G
51	3378000360	Screw M5x6	1	
52	3371809731	Parallel For MGG motor	1	H
53	3371809116	Adaptor For 14"/16" discs	1	
54	3371809127	Counter nut 1" UNF - left	1	
55	3371809746	Hose fitting ¼" BSPT M - ½" hose	1	
56	3371809750	Tip ø13	1	
57	3371809712	Screw M6x6	1	
58	3371805109	O-ring ø13.95x2.62	2	
59	3371809021	Tail hose 2.0 m ¾"	2	
60	3371805137	Q.R. coupling 06 female	1	I
61	3371805138	Q.R. coupling 06 male	1	J
62	3377016375	Seal ring 3/8"	2	
63	3371805728	Protective cap 3/8" male	1	
64	3371805727	Protective cap, 3/8 in. Female	1	
65	-	Data plate (Not available separately)	1	

Tightening torque Tightening torque

NO EXPLODED VIEW
AVAILABLE
FOR THIS BOM

Item	Part No.	Name	Qty	L
-	3371809706	Screw M8x25	-	A
-	3371817728	Screw M6x10	-	B
-	3371809730	Nipple 3/8" BSP 3/4" UNF 45° elbow	-	C
-	3377122008	Screw M8x30	-	D
-	3371809705	Screw M8x20	-	E
-	0211132203	Screw	-	F
-	3371809148	Banjo bolt 3/4" UNF	-	G
-	3371809156	Screw M8x20, finished	-	H
-	3378000360	Screw M5x6	-	I
-	3371809712	Screw M6x6	-	J
-	3371809021	Tail hose 2.0 m 3/8"	-	K
-	3371805137	Q.R. coupling 06 female	-	L
-	3371805138	Q.R. coupling 06 male	-	M

Comments for Page: Tightening torque

(L)OCAL REMARKS

A | M8 x 25 mm

B | M6 x 10 mm

C | in. BSP x in. UNF 45° elbow

D | M8 x 30 mm

E | M8 x 20 mm

F | M8 x 16 mm

G | in. UNF

H | M8 x 20 mm

I | M5 x 6 mm

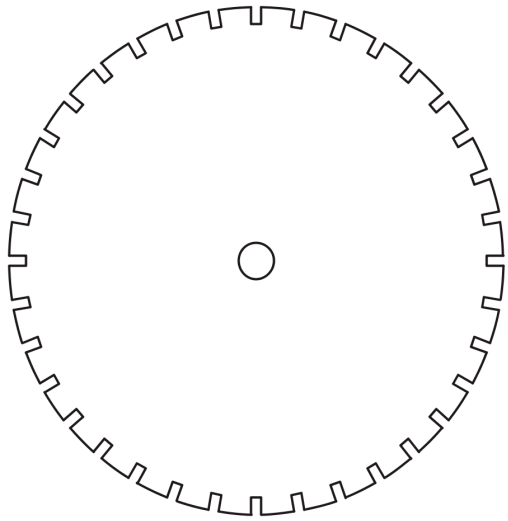
J | M6 x 6 mm

K | in. Length = 2.0 m in. Length = 8.6 ft

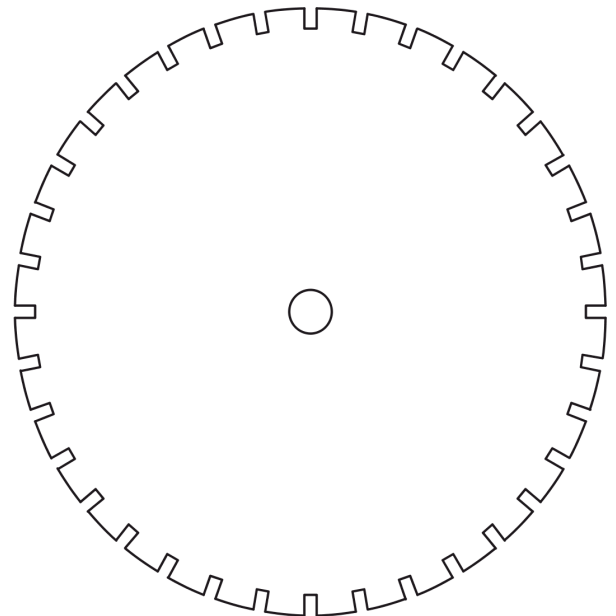
L | 06 Female

M | 06 Male

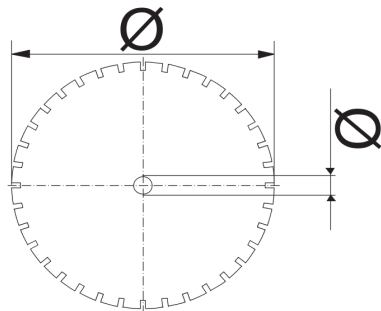
Diamond discs Diamond discs



1



2



Item	Part No.	Name	Qty	L
1	3378005057	Concrete diamond disc		A
1	3378005058	Asphalt diamond disc		B
2	3371809727	Concrete diamond disc		C
2	3371809726	Asphalt diamond disc		D

Comments for Page: Diamond discs

(L)OCAL REMARKS

A | Blade diameter (mm): 355

Hole diameter (mm): 25,4

Weight (kg): 1,6

-For wet and dry cutting of concrete and concrete reinforcement.

B | Blade diameter (mm): 405

Hole diameter (mm): 25,4

Weight (kg): 2,3

-For wet and dry cutting of concrete and concrete reinforcement.

C | Blade diameter (mm): 355

Hole diameter (mm): 25,4

Weight (kg): 1,6

-For wet and dry cutting of concrete and concrete reinforcement.

D | Blade diameter (mm): 405

Hole diameter (mm): 25,4

Weight (kg): 2,3

-For wet and dry cutting of concrete and concrete reinforcement.

Accessories Hoses and couplings

NO EXPLODED VIEW
AVAILABLE
FOR THIS BOM

Item	Part No.	Name	Qty	L
1	3371801083	Connection hose, complete	1	
-	3371803050	Hose	2	
-	3371805714	Seal ring 1/2"	2	
-	3371805133	Quick release coupling 1/2" Flat-face Female	1	
-	3371805134	Quick release coupling 1/2" Flat-face Male	1	
-	3371805733	Protective cap 1/2" female	1	A
-	3371805732	Protective cap For 1/2" male QRC	1	B
-	3371801087	Twin extension hose complete Incl. Fig. No. 200-207	1	
-	3371803052	Twin extension hose 7 m 1/2" BSP M – BSP M	1	
-	3371801190	Connection hose, complete Ø 1/2 in. L = 62 in. Ø 12.5 mm L = 1.6 m	1	
-	3371803064	Hose Ø 1/2 in. L = 62 in. Ø 12.5 mm L = 1.6 m	2	
-	3371802115	Label "P" Pressure side	1	G
-	3371801090	Twin extension hose for direct mounting, complete, Ø 3/8 in. L = 16.4 ft, Ø 9.5 mm L = 5 m	1	
-	3371803054	Twin hose, Ø 3/8 in. L = 16.4 ft, Ø 9.5 mm L = 5 m	1	
-	3371801089	Twin extension hose, Ø 1/2 in. L = 39.3 ft, Ø 12.5 mm L = 12 m	1	
-	3371803053	Twin hose, Ø 1/2 in. L = 39.3 ft, Ø 12.5 mm L = 12 m	1	

Comments for Page: Hoses and couplings

(L)OCAL REMARKS

A | Female

B | Male

C | Female

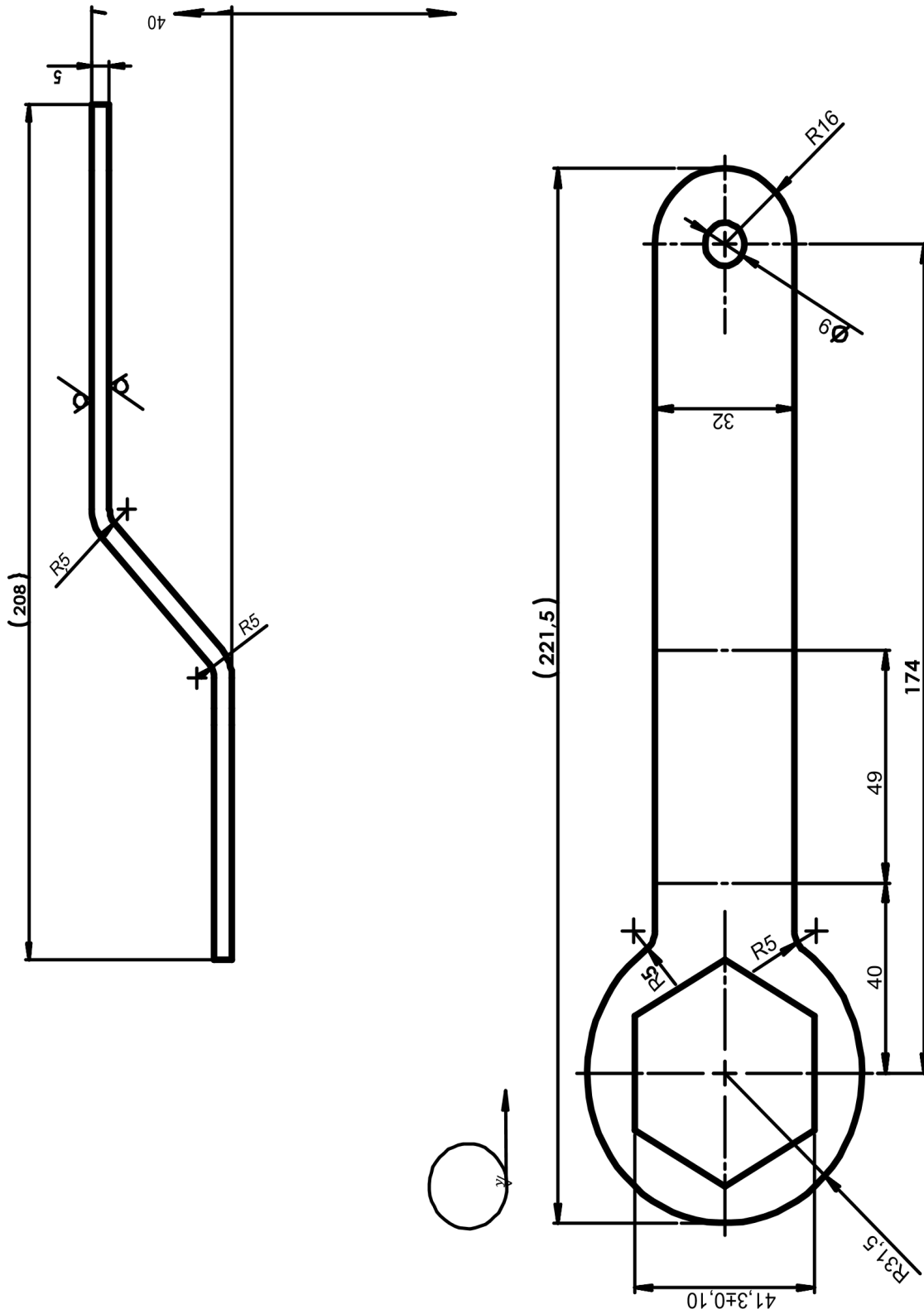
D | Male

E | Female

F | Male

G | Pressure side

Accessories Wrench HEX41



Refer to Parts Online for the most up to date information. The printed information might be outdated.

Wed Feb 19 09:07:22 UTC 2020

Item	Part No.	Name	Qty	L
Not Shown	3371809600	Wrench HEX 41, completion		

Kits Label kit, LS 14

NO EXPLODED VIEW
AVAILABLE
FOR THIS BOM

Item	Part No.	Name	Qty	L
1	3371809012	Label kit	1	
-	3371897257	Label	1	A
-	3371897251	Label, rpm 14 in.	1	
-	3371896061	Safety label	1	
-	3371896097	Product label	1	B
-	3371896043	Label	1	C
-	3371896044	Label	1	D
-	3371896047	EHTMA Category C 20 lpm	1	E
-	3371896048	EHTMA Category D 30 lpm	1	F
-	3371802115	Label "P" Pressure side	1	G
-	3371897084	Product label	1	H

Comments for Page: Label kit, LS 14

(L)OCAL REMARKS

A | Direction of rotation

B | "Atlas Copco"

C | Water open

D | Water closed

E | EHTMA C

F | EHTMA D

G | P

H | "LS 14"

Kits Label kit, LS 16

NO EXPLODED VIEW
AVAILABLE
FOR THIS BOM

Item	Part No.	Name	Qty	L
1	3371809013	Label kit	1	
-	3371897257	Label	1	A
-	3371897252	Label, rpm 14 in.	1	
-	3371896061	Safety label	1	
-	3371896097	Product label	1	B
-	3371896043	Label	1	C
-	3371896044	Label	1	D
-	3371896047	EHTMA Category C 20 lpm	1	E
-	3371896048	EHTMA Category D 30 lpm	1	F
-	3371896049	Decal	1	G
-	3371802115	Label "P" Pressure side	1	H
-	3371897085	Product label	1	I
-	3371896003	Noise level label	1	

Comments for Page: Label kit, LS 16

(L)OCAL REMARKS

A | Direction of rotation

B | "Atlas Copco"

C | Water open

D | Water closed

E | EHTMA C

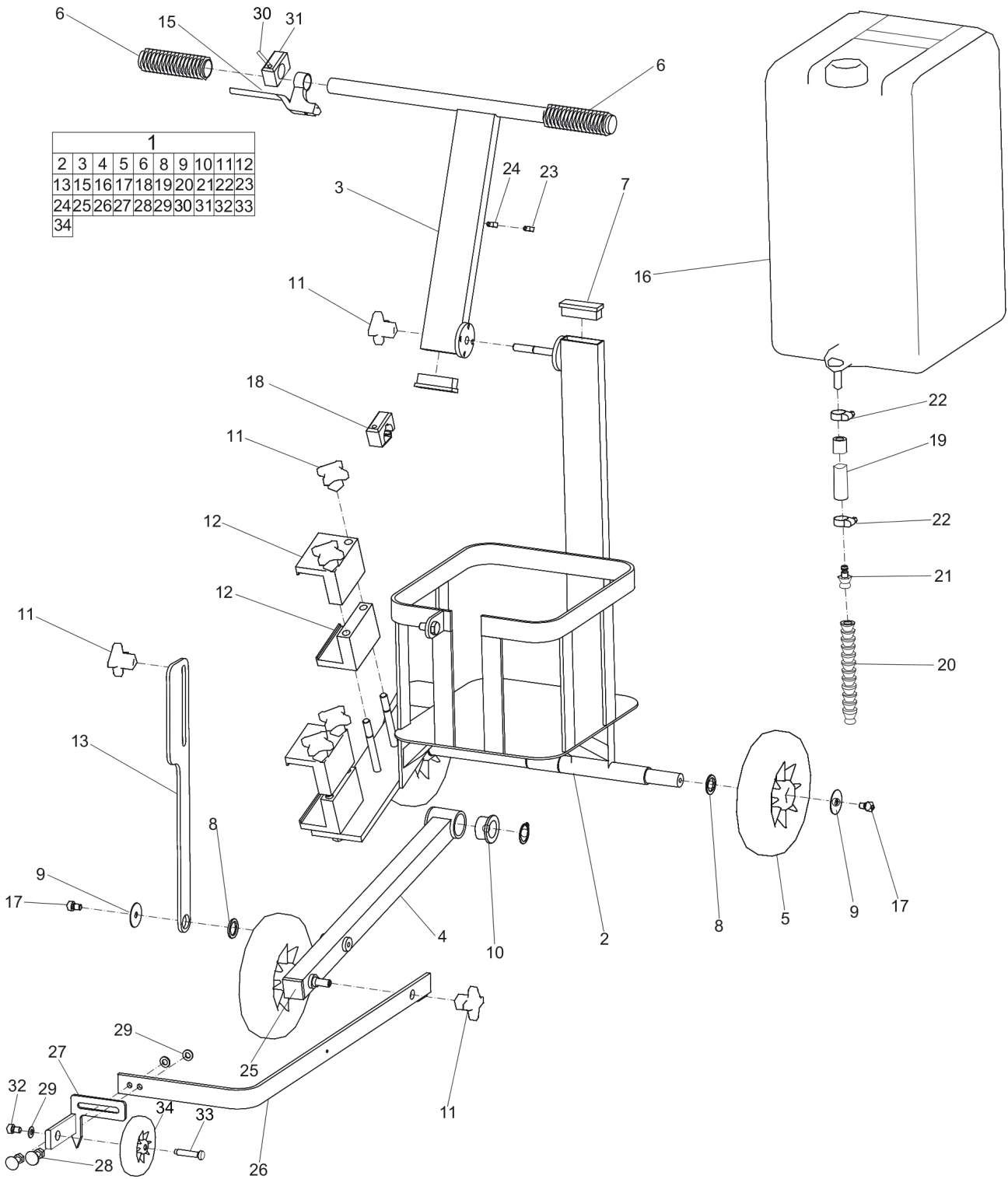
F | EHTMA D

G | EHTMA E

H | P

I | "LS 16"

Kits LCS Cart kit



Refer to Parts Online for the most up to date information. The printed information might be outdated.

Wed Feb 19 09:07:24 UTC 2020

Item	Part No.	Name	Qty	L
1	1809001001	Cart kit	1	
2	3371809023	Cart frame	1	
3	3371809025	Handle frame	1	
4	3371809024	Arm	1	
5	3371809717	Wheel ø180	3	
6	3377005307	Handle	2	
8	3371809714	Washer ø20/28x1	4	
9	3371809715	Washer ø5/16"x35x1.25	4	
10	3371809716	Nylon bushing RI 5070	2	A
11	3371809718	Cross grip, M10	7	
12	3371809208	Clip Plastic	4	B
13	3371809229	Adjusting arm With ruler	1	C
15	3371809721	Trigger Bicycle type	1	D
16	3371809722	Water tank	1	
17	3378302516	Screw M8x10	4	
18	3371809005	Cable, complete	1	
19	3371809240	Hose	1	E
20	3371809765	Modular hose lock-line, 1/4 in. Length = 314 mm, 1/4 in. Length = 12.36 in.	1	
21	3371809766	Connector, Male NPT 1/4 in.	1	
22	3377000428	Hose clip ø13/20	2	
23	3371815739	Screw M3x6	1	
24	3371809754	Cable bow NX 1	1	F
25	3371809751	Plastic tip 30x30	1	
26	3371809030	Steering rod	1	
27	3371809231	Pointer	1	
28	3371809761	Screw with nut, M8	2	
29	3377000469	Washer ø8	3	
30	3371809759	Screw, M10	1	
31	3371809032	Safety trigger	1	
32	3376100588	Screw, M8 x 20 mm	1	
33	3371809239	Axel	1	
34	3371809767	Safety wheel	1	

Comments for Page: LCS Cart kit

Refer to Parts Online for the most up to date information. The printed information might be outdated.

Wed Feb 19 09:07:25 UTC 2020

(L)OCAL REMARKS

A | RI 5070

B | Plastic

C | With ruler

D | Bicycle type

E | 0.45 m

1.48 ft

F | NX 1

This page intentionally left blank

Kits Water kit

NO EXPLODED VIEW
AVAILABLE
FOR THIS BOM

Item	Part No.	Name	Qty	L
1	3371809002	Water kit	1	A
2	3371809002	Water kit	1	A

Comments for Page: Water kit

(L)OCAL REMARKS

A | Water supply for LS cut-off saw.

(L)OCAL REMARKS

A | Water supply for LS cut-off saw.

Kits Seal kit

NO EXPLODED VIEW
AVAILABLE
FOR THIS BOM

Item	Part No.	Name	Qty	L
1	3378099907	Seal kit For MGG Motor	1	

Comments for Page: Seal kit

(L)OCAL REMARKS

A | For MGG motor

Kits Seal kit, LS 14

NO EXPLODED VIEW
AVAILABLE
FOR THIS BOM

Item	Part No.	Name	Qty	L
1	3371809010	Seal kit Incl. fig. No. 3, 7, 10-13, 15-17, 21, 37, 64.67	1	
-	3371809729	O-ring ø11x2	1	
-	3371814732	Circlip	2	B
-	3371814702	O-ring Ø 0.64 x 0.09 in. Ø 16.3 x 2.4 mm	1	
-	3371814700	O-ring Ø 0.33 x 0.09 in. Ø 8.3 x 2.4 mm	1	
-	3371814701	Back-up ring	1	
-	3371814712	Circlip	1	C
-	3371805503	Seal Ø 0.71 x 0.55 x 0.14 x 0.20 in. Ø 18 x 14 x 3.5 x 5 mm	1	
-	3371809700	Back-up washer ø18/25x1.5	1	
-	3371809701	Circlip SB 25	1	D
-	3371818705	O-ring ø14x2	6	
-	3371820706	O-ring Ø 0.87 x 0.06 in.Ø 22 x 1.5 mm	8	
-	3371805109	O-ring ø13.95x2.62	2	
-	3378099907	Seal kit For MGG Motor	1	E

Comments for Page: Seal kit, LS 14

(L)OCAL REMARKS

B | SW 8

C | SB 12

D | SB 25

E | For MGG motor

Kits Seal kit, LS 16

NO EXPLODED VIEW
AVAILABLE
FOR THIS BOM

Item	Part No.	Name	Qty	L
1	3371809011	Seal kit Incl. fig. No. 3, 7, 10-13, 15-17, 21, 37, 55,64, 67	1	
-	3371809729	O-ring ø11x2	1	
-	3371814732	Circlip	2	B
-	3371814702	O-ring Ø 0.64 x 0.09 in. Ø 16.3 x 2.4 mm	1	
-	3371814700	O-ring Ø 0.33 x 0.09 in. Ø 8.3 x 2.4 mm	1	
-	3371814701	Back-up ring	1	
-	3371814712	Circlip	1	C
-	3371805503	Seal Ø 0.71 x 0.55 x 0.14 x 0.20 in. Ø 18 x 14 x 3.5 x 5 mm	1	
-	3371809700	Back-up washer ø18/25x1.5	1	
-	3371809701	Circlip SB 25	1	D
-	3371818705	O-ring ø14x2	6	
-	3371820706	O-ring Ø 0.87 x 0.06 in.Ø 22 x 1.5 mm	4	
-	3371814748	O-ring Ø 0.98 x 0.06 in.Ø 25 x 1.5 mm	4	
-	3371805109	O-ring ø13.95x2.62	2	
-	3378099907	Seal kit For MGG Motor	1	E

Comments for Page: Seal kit, LS 16

(L)OCAL REMARKS

B | SW 8

C | SB 12

D | SB 25

E | For MGG motor

AUTORYZOWANY PARTNER:

TECHBUD

SILNIKI • MASZYNY BUDOWLANE • DROGOWE • AGREGATY

Techbud Sp. z o.o.
ul. Gorzowska 12
65-127 Zielona Góra

tel. +48 68 470 72 50
fax +48 68 470 72 51
www.techbud.eu
techbud@techbud.eu